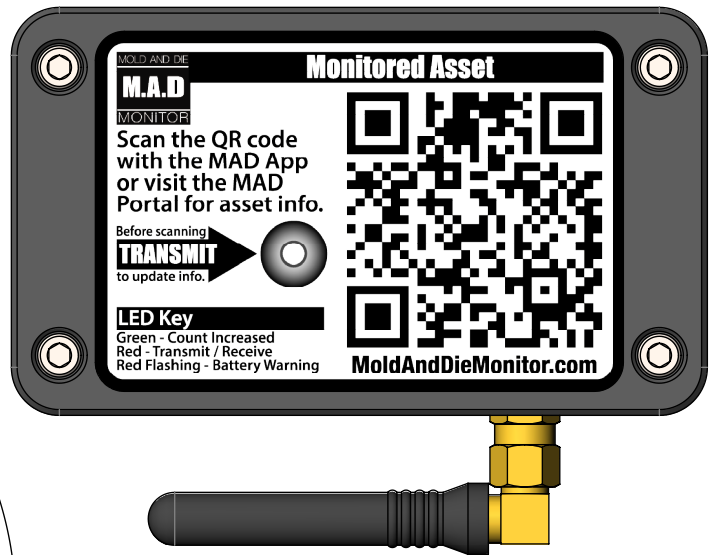
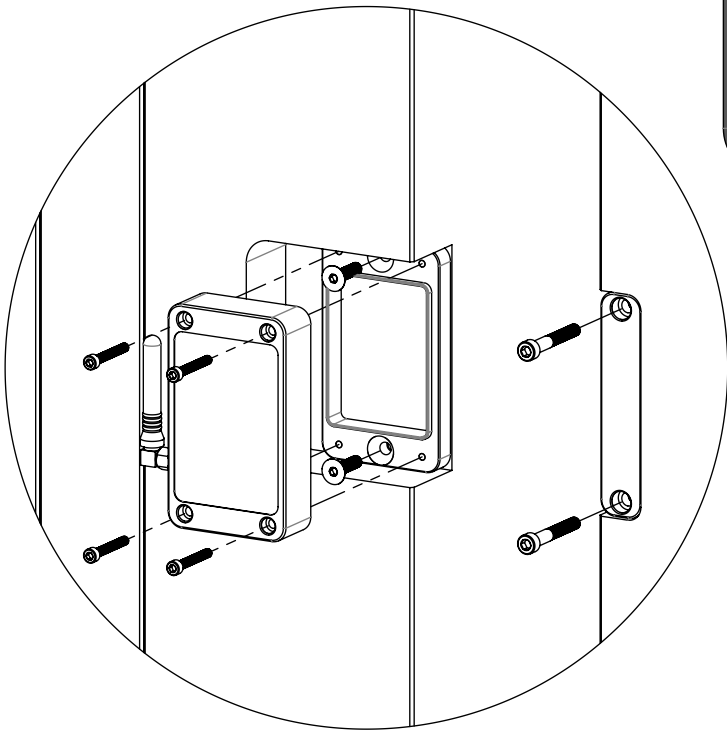
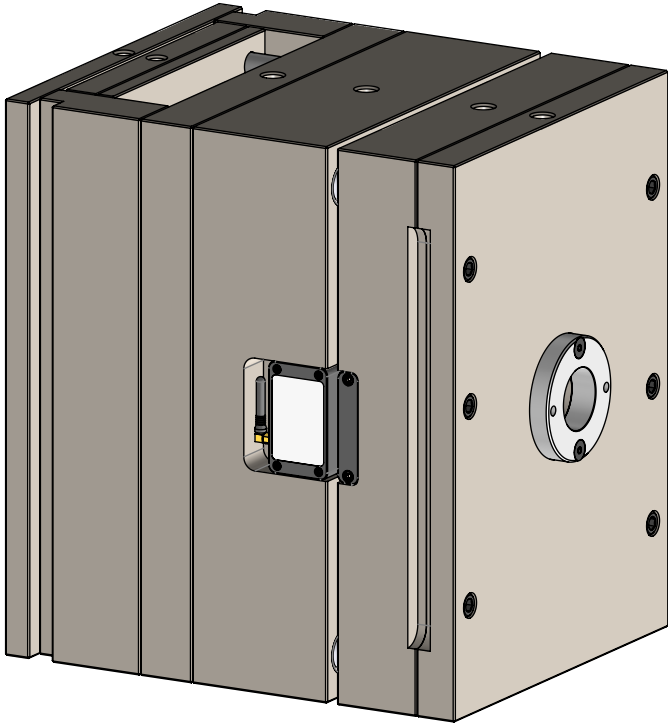
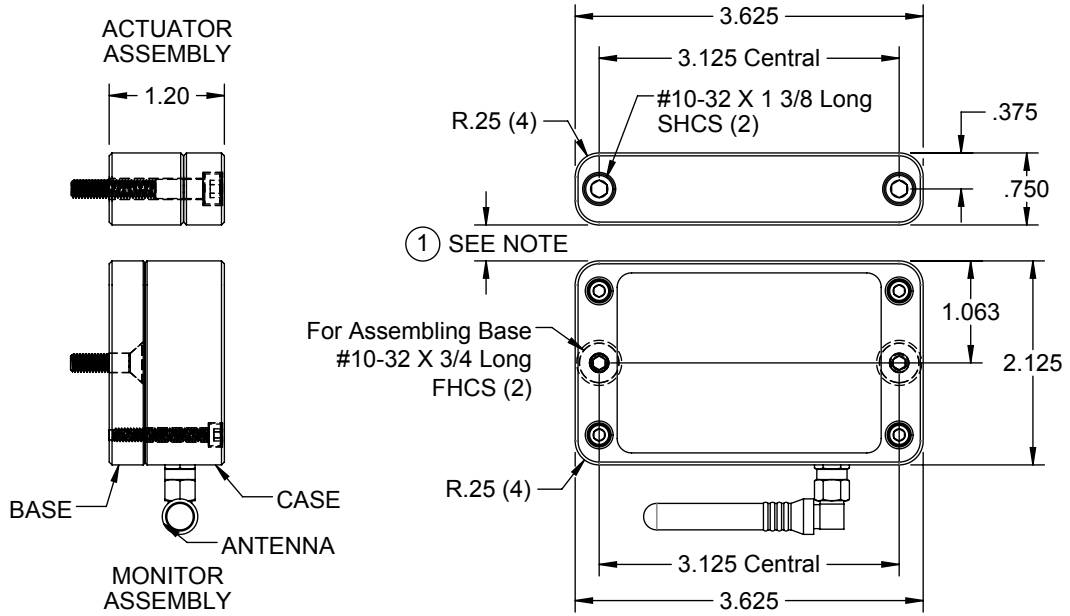




# Mold and Die Monitor

INSTALLATION REQUIREMENTS





① MAX. ALLOWABLE SPACING BETWEEN ACTUATOR & MONITOR = .375". TRIGGERING OCCURS AT THIS DISTANCE!

